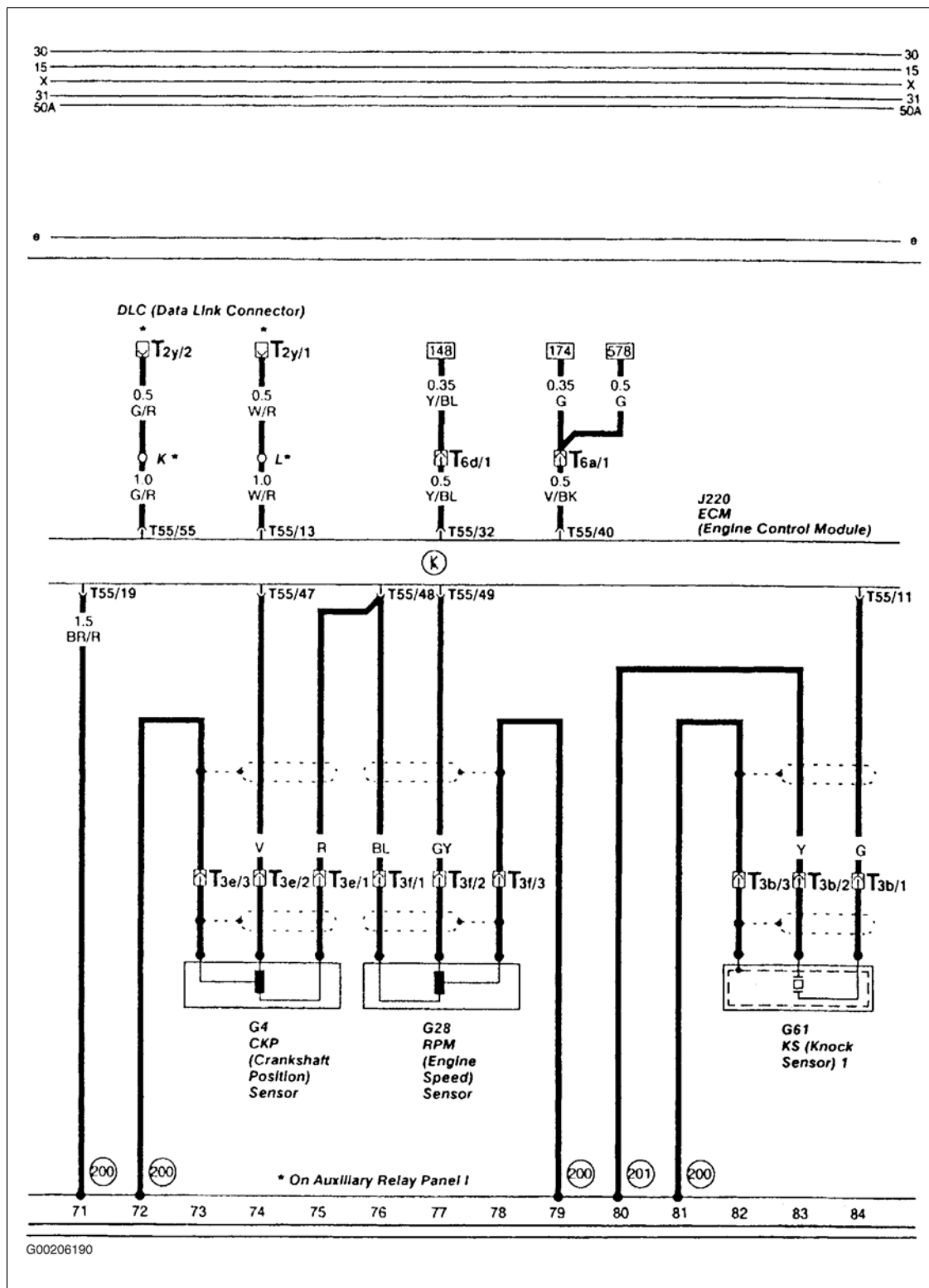


Fig 1: Identifying Current Tracks (71-84)



Courtesy of AUDI OF AMERICA, INC.